

ONYX® Series

DPI-232 Direct Panel Interface



Peripheral Devices

General

The DPI-232 Direct Panel Interface is a specialized modem for extending EIA-232 serial data links to remotely located control panels and/or peripherals.

The DPI-232 is used with:

- The ONYX® Series NFS-320, NFS2-3030, and NFS2-640 intelligent Fire Alarm Control Panels (FACPs), and NCA-2 Network.

NOTE: Please refer to the DPI-232 manual for supported legacy products.

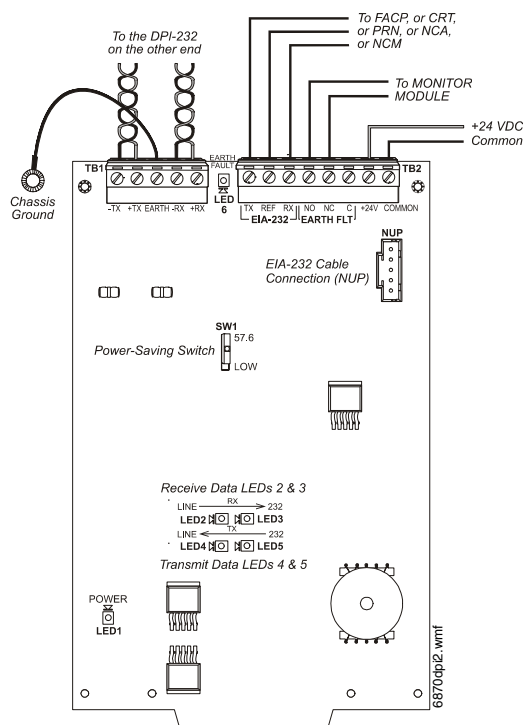
Applications include extending distance between:

- FACP and peripheral device (CRT, printer).
- FACP and NOTI•FIRE•NET™ connection module.
- Network annunciator and NOTI•FIRE•NET connection module.

Block diagrams of applications and connections charts are available in the DPI-232 Manual, number 51499.

Features

- Utilizes two “dry copper” **unshielded twisted-pairs** of 16 to 26 AWG (1.3 to 0.13 mm²) wire.
- **Capable of carrying** full duplex transmission with data rates of up to 57.6 Kbaud in each direction over a distance of up to 10,000 feet (3048 m).
- Each **full duplex transmission link** requires one DPI-232 on each end of the two pairs.
- Each wire pair is connected to **transmitter terminals** (+TX, –TX) of the DPI-232 on one end and to the **receiver terminals** (+RX, –RX) of the DPI-232 on the other end.
- Each DPI-232 **supervises for ground faults** on the wire pair connected to +TX and –TX terminals. The ground fault detector has an LED indicator as well as Form-C trouble contacts.
- Panel/peripheral terminals are **electrically isolated** from the twisted pair terminals.
- Equipped with a **power-saving switch** that allows power conservation at the lower data rates of up to 9,600 baud. Higher data rates than 9,600 baud require setting switch position to “57.6”.
- Plugs into a 120 VAC wall outlet and supplies +24 VDC to power the DPI-232 modem. This power supply must be used when the modem is **not** being powered directly from a FACP or other UL-Listed power-limited power supply. Listed for fire protective signaling.



Specifications

- **Physical dimensions:** approximately 4.375" (11.11 cm) wide by 6.875" (17.30 cm) high. Mounts onto any panel module location.
- **Temperature and humidity ranges:** This system meets NFPA requirements for operation at 0°C to 49°C (32°F to 120°F); and at a relative humidity (noncondensing) of 85% at 30°C (86°F) per NFPA, and 93% ± 2% at 32°C ± 2°C (89.6°F ± 1.1°F) per ULC. However, the useful life of the system's standby batteries and the electronic components may be adversely affected by extreme temperature ranges and humidity. Therefore, it is recommended that this system and all peripherals be installed in an environment with a nominal room temperature of 15°C to 27°C (60°F to 80°F).
- **Input voltage range:** 18.0 to 31.0 VDC, 24 V nominal.
- **Power requirements:** 245 mA with SW1 set to “57.6”, 148 mA with SW1 set to “LOW”.
- **Performance and capacity** (per NFPA SLC classification):
 - Style 4 for data rates up to 9600 baud.
 - Style 3.5 for data rates up to 57.6 Kbaud.
- **Distance limitations:**
 - Up to 10,000 feet (3,048 m) on 16 to 24 AWG (1.3 to 0.2 mm²) unshielded twisted-pair wire.
 - Up to 580 ohm total (290 ohm each wire) of wire resistance.

OR (whichever the above comes first)
- **Wiring from the DPI-232 that is installed outside the building:**
 - *Cannot* exceed 1,000 meters (3,280 feet).

- *Must* be in conduit.
- *Cannot* cross any power lines.
- **Mounting:** The DPI-232 is designed to mount in CHS-M2, CHS-4N, or CHS-4L chassis; or on the ADP-4B annunciator dress panel. Refer to the DPI-232 Manual, number 51499, for further information and diagrams.

Operation Highlights

DIAGNOSTIC LEDES

- **Power** (green LED 1) illuminates to indicate presence of DC power.
- **RX Line** (green LED 2) illuminates when the RX line is connected to the receiver with proper polarities.
- **RX 232** (LED 3) when RX Line (LED 2, above), is illuminated, RX 232 (LED 3) illumination indicates data is being received.
- **TX 232** (LED 4) when TX Line (LED 5, below), is illuminated, TX 232 (LED 4) illumination indicates data is being transmitted.
- **TX Line** (green LED 5) illuminates when the TX line is connected to the receiver with proper polarities.
- **Earth Fault** (yellow LED 6) illuminates when a ground fault is detected on the twisted-pair connected to the transmitter.

SWITCHES AND CONNECTIONS

- **SW1, Power-Save switch** – has two settings, “57.6” and “Low”. Data rates above 9,600 baud require setting the switch to “57.6” position. Set the switch to “Low” to conserve energy for data rates up to 9,600 baud.
- **TB1:**
 - TX, +TX** “Transmit” connections to remote device for use with 16 – 26 AWG (1.3 to 0.13 mm²) twisted-pair unshielded wire.
 - Earth** – connect to ground of cabinet/chassis.

–**RX, +RX** “Receive” connections to remote device for use with 16 – 26 AWG (1.3 to 0.13 mm²) twisted-pair unshielded wire.

- **TB2:**
 - EIA-232 TX** – “Transmit” connection to EIA-232 TX connection of panel/peripheral.
 - EIA-232 REF** – “Reference” connection to EIA-232 REF connection of panel/peripheral.
 - EIA-232 RX** – “Receive” connection to EIA-232 TX connection of panel/peripheral.
 - Earth Fit (NO, NC, C)** – normally open (NO), normally closed (NC), and common (C) earth fault trouble contacts.
 - +24V** – connection to listed +24 VDC power source.
 - Common** – connection to 24 VDC common.
- **NUP: EIA-232 Cable Connection (NUP)** – connection for NUP (network) cable from NUP-compatible equipment.

Agency Listings and Approvals

These listings and approvals apply to the DPI-232. In some cases, certain modules or applications may not be listed by certain approval agencies, or listing may be in process. Consult factory for latest listing status.

- **UL:** S635 (Listed for Canadian and non Canadian applications)
- **MEA:** 253-02-E
- **CSFM:** 7300-0028:222; 7165-0028:224 (NFS-3030, NFS2-3030); 7170-0028:223 (NFS-3030, NFS2-3030)
- **City of Chicago** approved; Class 1, Class 2
- **City of Denver** approved
- **FDNY:** COA #6038, 6026

Product Line Information

DPI-232: Direct Panel Interface modem for extending EIA-232 serial data links.

NOTIFIRENET™ is a trademark, and ONYX® and UniNet® are registered trademarks of NOTIFIER. NION® is a registered trademark of Honeywell International Inc.

©2010 by Honeywell International Inc. All rights reserved. Unauthorized use of this document is strictly prohibited.



This document is not intended to be used for installation purposes.
We try to keep our product information up-to-date and accurate.
We cannot cover all specific applications or anticipate all requirements.
All specifications are subject to change without notice.

For more information, contact Notifier. Phone: (203) 484-7161, FAX: (203) 484-7118.
www.notifier.com

