

14507714-001

Single-Mode/Multi-Mode Converter for NOTI•FIRE•NET™



Network Systems

General

The 14507714-001 Single-Mode/Multi-Mode Converter interfaces between single- and multi-mode fiber-optic devices. It provides a liaison between single-mode fiber network cable and multi-mode devices including NCM-F, NAM-232F, MIB-F network cards, and RPT-F and RPT-WF repeaters. The converter comes with a DC adapter for 24 VDC (DC/DC +12 V) operation.

The SMF-KIT provides hardware for mounting the converter into NOTIFIER CAB-3 or CAB-4 Series enclosures. Installation in the same cabinet as the FACP is recommended for ease in connecting the converter assembly to a monitored power supply. The SMF-KIT includes a chassis, attached power terminal block, and screws, nuts, and washers necessary to mount two converters.

Converter Specifications

Interface: multi-mode 850 nm, full duplex; single-mode 1310 nm, full duplex.

Connectors: ST®-style for both single- and multi-mode.

Data rate: 0 to 2.5 MBPS.

Loss budget: multi-mode: 8 dB maximum @ 850 nm on 62.5/125 cable; single-mode: 12 dB maximum @ 1310 nm on 9/125 cable. There is a 10,000 ft maximum NOTI•FIRE•NET™ network limit used in Style 7.

Switches: Line Loss adjusts to best performance of single-mode fiber for losses of 2, 5, 10, or 12 dB (12 dB = 15 dB setting on the converter); Phase allows reversal of phase between signals of multi-mode and single-mode systems.

Indicators: TD and RD LEDs and Line Loss selection LEDs.

Power: maximum DC power consumption of 0.5 A @ 24 VDC.

Operating temperature: 32°F to 120°F (0°C to 49°C).

Storage temperature: 23°F to 167°F (-5°C to +75°C).

Relative humidity: 5% to 93%, noncondensing.

Dimensions: 7.0" W x 3.0" H x 1.0" D (cm: 17.78 W x 7.62 H x 2.54 D).

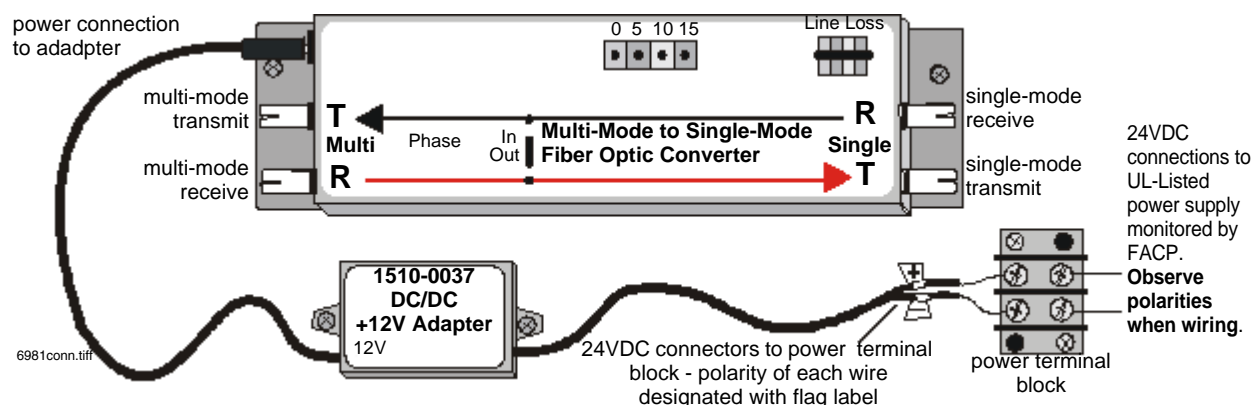
NOTE: For information on specifications and operation of the converter and its adapter, refer to the manual that accompanies these products ("Reference Manual", doc. no. 0315-0259). For information on network card, repeater, and NOTI•FIRE•NET connections, refer to the appropriate document: NCM installation manual P/N 51533, NAM-232 manual P/N 50038, MIB manual P/N 50255, repeater manual P/N 50256, or NOTI•FIRE•NET manuals, P/N 51584 or 50257.

Product Line Information

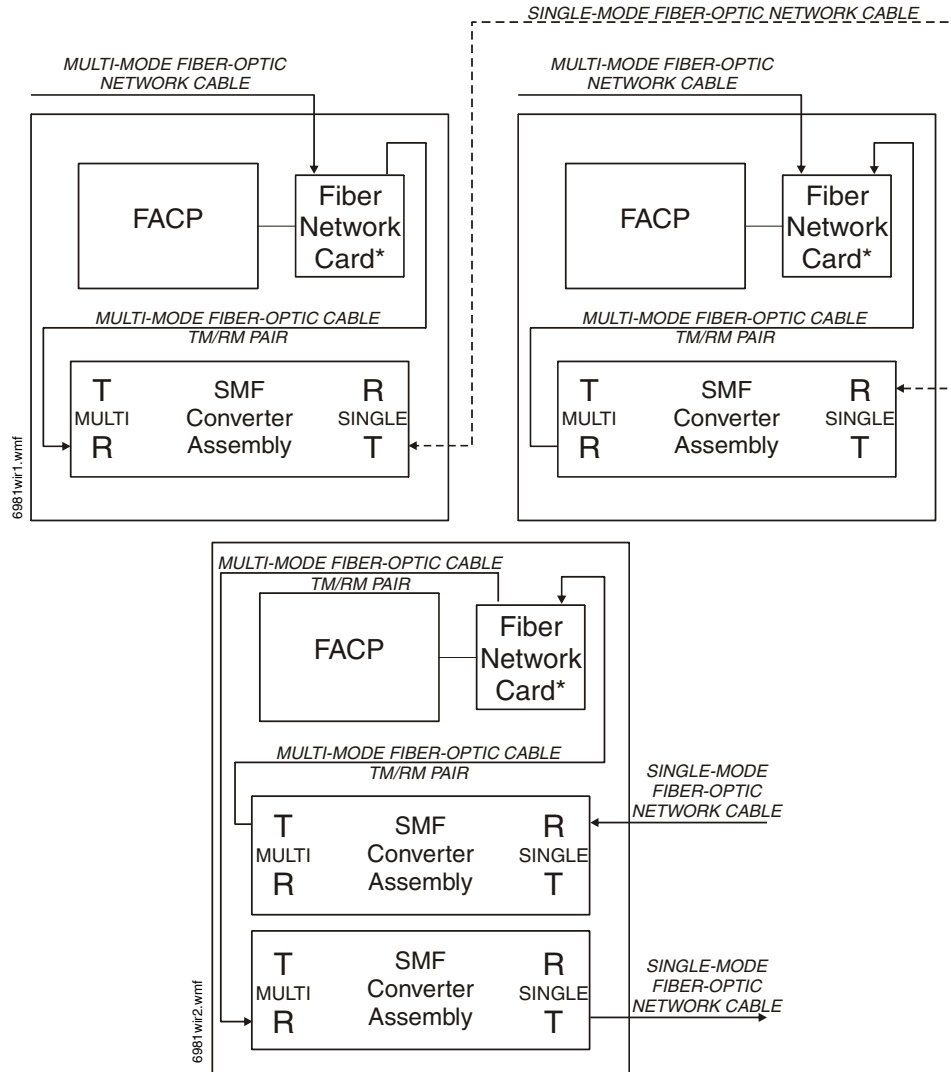
14507714-001: Single-mode/multi-mode fiber-optic converter. Includes DC adapter for 24 VDC operation.

SMF-KIT: Mounting kit to mount one or two 14507714-001 converters. Includes chassis, power terminal block (attached), screws, nuts, and washers. Assembly occupies a single row in the CAB-3 or CAB-4 Series enclosure.

NOTE: UL 864 installation minimum requirement: 14507714-001 converter(s) with DC adapter; UL-Listed power supply monitored by an FACP; a NOTIFIER CAB-3/-4 Series cabinet enclosure; NOTI•FIRE•NET™ version 3.0, 4.0, or 5.0.



Wiring Diagrams



* Fiber network card = NCM-F, NAM-232F, MIB-F.
NOTE: Repeaters (RPT-F) may be used as described in the repeater manual on the multi-mode fiber interface.

NOTIFIRE•NET™ is a trademark of Honeywell International Inc. ST® is a registered trademark of AT&T.
 ©2008 by Honeywell International Inc. All rights reserved. Unauthorized use of this document is strictly prohibited.



This document is not intended to be used for installation purposes.
 We try to keep our product information up-to-date and accurate.
 We cannot cover all specific applications or anticipate all requirements.
 All specifications are subject to change without notice.



Made in the U.S. A.

For more information, contact Notifier. Phone: (203) 484-7161, FAX: (203) 484-7118.
www.notifier.com