

ONYXWorks® Gateway

Receivers System Integration



Network Systems

General

The Receivers Gateway is an intelligent gateway interface to digital alarm communicator receivers (DACR) for the ONYXworks® facilities monitoring workstation. This gateway facilitates monitoring of all events transmitted by fire alarm and security control panels equipped with digital alarm communicator transmitters (DACT). The Receivers Gateway eliminates the need to add leased lines or Internet connections to many remote buildings and combine various fire alarm control panels onto a single platform.

This software-based gateway supports a supervised RS-232 interface for digital alarm communicator receivers. Perform central monitoring station tasks by combining the Workstation and the Receivers Gateway. The Receivers Gateway is an ideal addition to the ONYXworks® systems integration platform.

Features

- Enables the ONYXworks® workstation to monitor various remote fire and security panels for real-time events.
- Interfaces to popular central station receivers.
- Compatible with the Ademco 685, Silent Knight 9500 and 9800, Radionics 6600, and the Teldat Visor Alarm.
- Uses standard phone lines and digital dialer equipment.
- Automatic remote site supervision using periodic test messages.
- Up to 10 DACRs supported with a single gateway interface.
- Each site has account codes to easily manage graphical icons and events.

Compatibility

The Receivers Gateway is compatible with ONYXworks® and utilizes an RS-232 interface for the following formats:

- Contact ID

Specifications

PC VERSION:

- Requires an ONYXworks® Workstation (see ONYXworks® data sheet DN-7048).
- DB-9 to DB-9 serial cables (refer to Receivers Gateway Manual P/N 52308).

Standards and Codes

The ONYXWorks® Gateway complies with the following UL/ULC Standards and NFPA 72 Fire Alarm Systems requirements:

- UL 864
- UL 1076
- UL 2017
- ULC S527-99, S559-04



Listings and Approvals

These listings and approvals apply to the modules specified in this document. In some cases, certain modules or applications may not be listed by certain approval agencies, or listing may be in process. Consult factory for latest listing status.

- **UL/ULC Listed:** S5526; S6010
- **CSFM:** 7300-1525:103 (DACR-GW)

Ordering Information

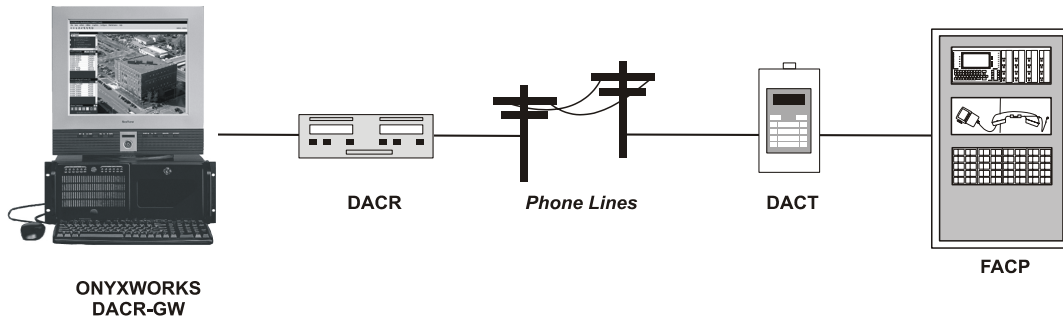
DACR-GW*: Receivers Gateway (software version).

***NOTE:** Please supply USB key number when ordering.

Additional PC VERSION Gateway required components:

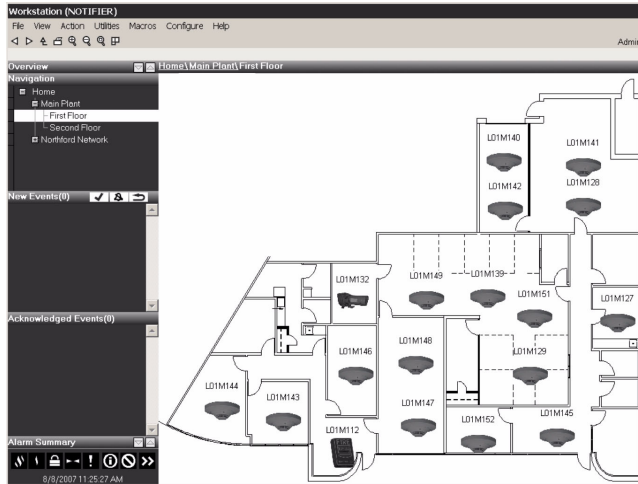
- ONYXworks® Workstation.

Applications



7061app1.wmf

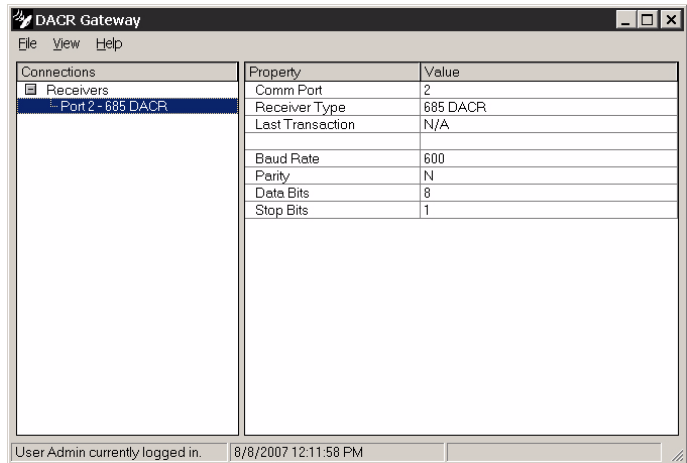
ONYXworks® Workstation Software



Monitor multiple sites from a single workstation

7061mon1.jpg

Easy setup and programming



7061set1.jpg

NOTIFIER® and ONYXWorks® are registered trademarks of Honeywell International Inc. Microsoft® and Windows® are registered trademarks of Microsoft Corporation. ©2009 by Honeywell International Inc. All rights reserved. Unauthorized use of this document is strictly prohibited.



This document is not intended to be used for installation purposes. We try to keep our product information up-to-date and accurate. We cannot cover all specific applications or anticipate all requirements. All specifications are subject to change without notice.



Made in the U.S. A.

For more information, contact Notifier. Phone: (203) 484-7161, FAX: (203) 484-7118. www.notifier.com