

# NION-NPB

ONYXWorks® Network Input/Output Node



Network Systems

## General

The NION-NPB is an interface between the ONYXWorks™ Echelon® Gateway, NOTIFIER® panels, competitive fire panels, and security control panels. Using protocol translation modules (EPP-OW personality modules), the NION-NPB facilitates transparent communications between the ONYXWorks workstation and the control panels on the Echelon Gateway network all based on LonWorks™ technologies.

The NION-NPB interprets standard network messages and sends corresponding messages to the control panel, using a RS-232 or RS-485 interface, in its native protocol. Similarly, the NION-NPB interprets native protocol messages from the control panel and then sends standard network messages to the ONYXWorks workstation. This communication method allows panels of different manufacturers, technologies, and generations to operate on the same network. For a complete list of available interfaces, contact NOTIFIER.

## Features

- Monitors and controls NOTIFIER and competitive fire panels, and security (contact NOTIFIER for a list of compatible competitive panels).
- Stand-alone interface to NFS-320, NFS-640, NFS2-640, NFS-3030, NFS2-3030, and AFP-300/400 (3.60 or higher).
- Network interface to NOTI•FIRE•NET™ (5.0 and higher).
- Communicates to an ONYXWorks workstation through the Echelon Gateway.
- Supports the high-speed proprietary LonWorks network that supports wire or multimode fiber media.
- RS-232 and RS-485 communications for monitored equipment interface.
- Battery-protected RAM.
- Six status LEDs indicate:
  - Binding Status (Echelon)
  - Heartbeat (Echelon processor)
  - Network Data Transmitted/Receive (Echelon)
  - Interprocessor Communication Link Status
  - Heartbeat (processor)
  - Serial Data Transmitted/Received

## Specifications

- Requires an ONYXWorks Echelon Gateway (see Echelon Gateway/ONYXWorks data sheet DN-7059).
- Requires an ONYXWorks Workstation (see ONYXWorks data sheet DN-7048).
- Powered from the monitored equipment or any auxiliary UL-Listed power supply.
- Power requirements: 24 VDC @ 200 mA.
- Communicates on LonWorks-based network operating at 78.5 Kbaud over twisted-pair wire or multimode fiber. Bidirectional fiber (DFXC) 1250 Kbaud.
- Network connections via standard screw terminals, EIA-232 connections via a network cable.
- Transformer-coupled network connection for wire applications.



- Long-life battery for nonvolatile RAM with voltage monitoring.
- Operating temperatures: 32°F to 120°F (0°C to 49°C).
- Storage temperatures: -40°F to +176°F (-40°C to +80°C).

## Applications

- The NION-NPB is compatible with:
  - Competitive fire alarm control panels.
  - Security control panels.
  - Stand-alone NOTIFIER NFS-320, NFS-640, NFS2-640, NFS-3030, and NFS2-3030.
  - Stand-alone AFP-300/-400 (3.60 or higher).
  - NOTI•FIRE•NET (5.0 or higher).

## Standards and Codes

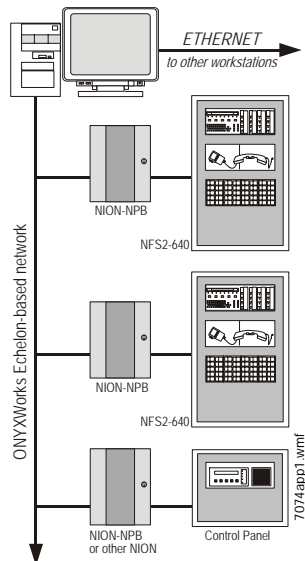
The NION-NPB complies with the following UL Standards and NFPA 72 Fire Alarm Systems requirements:

- **UL 864** (Fire).
- **UL 1076** (Burglary).
- **UL 294** (Access Control).

## Listings and Approvals

These listings and approvals apply to the modules specified in this document. In some cases, certain modules or applications may not be listed by certain approval agencies, or listing may be in process. Consult factory for latest listing status.

- **UL Listed:** S5697; S6011
- **ULC Listed:** S5697; S6011
- **CSFM:** 7300-1525:102



## Ordering Information

**NION-NPB:** Network Input/Output Node network protocol conversion platform. Compatible with competitor fire panels, security control panels, AFP-300/400 (version 3.60 or higher), ONYX® Series (NFS-320, NFS-640, NFS2-640, NFS-3030, or NFS2-3030) control panels, or with the NCM-W/F when interfacing to a NOTI•FIRE•NET network (5.0 or higher). Requires one EPP-OW personality module kit (below) and a transceiver (below).

### PERSONALITY MODULE KITS

**EPP-OW-4010-FT:** Personality firmware kit for the Simplex® 4010. Configures NION-NPB for a free-topology network interface.

**EPP-OW-4010-DF:** Personality firmware kit for the Simplex® 4010. Configures NION-NPB for a fiber-optic bidirectional transceiver (DFXC) interface.

**EPP-OW-4020-FT:** Personality firmware kit for the Simplex® 4020. Configures NION-NPB for a free-topology network interface.

**EPP-OW-4020-DF:** Personality firmware kit for the Simplex® 4020. Configures NION-NPB for a fiber-optic bidirectional transceiver (DFXC) interface.

**EPP-OW-4100-FT:** Personality firmware kit for the Simplex® 4100. Configures NION-NPB for a free-topology network interface.

**EPP-OW-4100-DF:** Personality firmware kit for the Simplex® 4100. Configures NION-NPB for a fiber-optic bidirectional transceiver (DFXC) interface.

**EPP-OW-AC2-FT:** Personality firmware kit for the AutoCall®/Thorn AC2/AL1500. Configures NION-NPB for a free-topology network interface.

**EPP-OW-AC2-DF:** Personality firmware kit for the AutoCall®/Thorn AC2/AL1500. Configures NION-NPB for a fiber-optic bidirectional transceiver (DFXC) interface.

**EPP-OW-TFX-FT:** Personality firmware kit for the AutoCall®/Thorn TFX. Configures NION-NPB for a free-topology network interface.

**EPP-OW-TFX-DF:** Personality firmware kit for the AutoCall®/Thorn TFX. Configures NION-NPB for a fiber-optic bidirectional transceiver (DFXC) interface.

**EPP-OW-EST2-FT:** Personality firmware kit for the Edwards® EST-2. Configures NION-NPB for a free-topology network interface.

**EPP-OW-EST2-DF:** Personality firmware kit for the Edwards® EST-2. Configures NION-NPB for a fiber-optic bidirectional transceiver (DFXC) interface.

**EPP-OW-EST3-FT:** Personality firmware kit for the Edwards® EST-3. Configures NION-NPB for a free-topology network interface.

**EPP-OW-EST3-DF:** Personality firmware kit for the Edwards® EST-3. Configures NION-NPB for a fiber-optic bidirectional transceiver (DFXC) interface.

**EPP-OW-MXL-FT:** Personality firmware kit for the Siemens® Cerberus MXL. Configures NION-NPB for a free-topology network interface.

**EPP-OW-MXL-DF:** Personality firmware kit for the Siemens® Cerberus MXL. Configures NION-NPB for a fiber-optic bidirectional transceiver (DFXC) interface.

**EPP-OW-VGM-FT:** Personality firmware kit for the Ademco® VGM Module (Vista-128B/128FB). Configures NION-NPB for a free-topology network interface.

**EPP-OW-NFN-FT:** Personality firmware kit for a stand-alone ONYX Series control panel or with the NCM-W/F when interfacing to a NOTI•FIRE•NET network (5.0 or higher). Includes network cable. Configures NION-NPB for a free-topology network interface.

**EPP-OW-NFN-DF:** Personality firmware kit for a stand-alone ONYX Series control panel or with the NCM-W/F when interfacing to a NOTI•FIRE•NET network (5.0 or higher). Includes network cable. Configures NION-NPB for a fiber-optic bidirectional transceiver (DFXC) interface.

**EPP-OW-400-FT:** Personality firmware kit for the AFP-300/400 (version 3.60 or higher). Configures NION-NPB for a free-topology network interface.

**EPP-OW-400-DF:** Personality firmware kit for the AFP-300/400 (version 3.60 or higher). Configures NION-NPB for a fiber-optic bidirectional transceiver (DFXC) interface.

### TRANSCEVERS

**FTXC:** Free-topology twisted-pair transceiver. Order with EPP-OW-XXXX-FT.

**FOXC:** Fiber-optic star-configuration transceiver. Order with EPP-OW-XXXX-FT.

**DFXC:** Fiber-optic bidirectional transceiver. Order with EPP-OW-XXXX-DF.

**NISCAB-1:** 16-gauge sheet metal enclosure 9.0" (22.86 cm) wide x 12.0" (30.48 cm) high x 2.75" (6.985 cm) deep; order separately.

Ademco®, NOTIFIER®, ONYX® and ONYXWorks® are registered trademarks and NOTI•FIRE•NET™ is a trademark of Honeywell International Inc. Microsoft® and Windows® are registered trademarks of Microsoft Corporation. Echelon® is a registered trademark and LonWorks™ is a trademark of Echelon Corporation.

©2007 by Honeywell International Inc. All rights reserved. Unauthorized use of this document is strictly prohibited.



This document is not intended to be used for installation purposes.  
We try to keep our product information up-to-date and accurate.  
We cannot cover all specific applications or anticipate all requirements.  
All specifications are subject to change without notice.



Made in the U.S.A.

For more information, contact Notifier. Phone: (203) 484-7161, FAX: (203) 484-7118.  
www.notifier.com