

# Operating Instructions

## For the Notifier XP Transponder Fire Alarm Control

### Normal (no event) operation:

All notification appliances and the piezo sounder should be silenced. The green power LED should be lit, indicating that AC Power is present. In addition, the power LED will flicker to the communication rate between the fire alarm panel and the transponder. All other status LEDs should be off.

### Alarm condition:

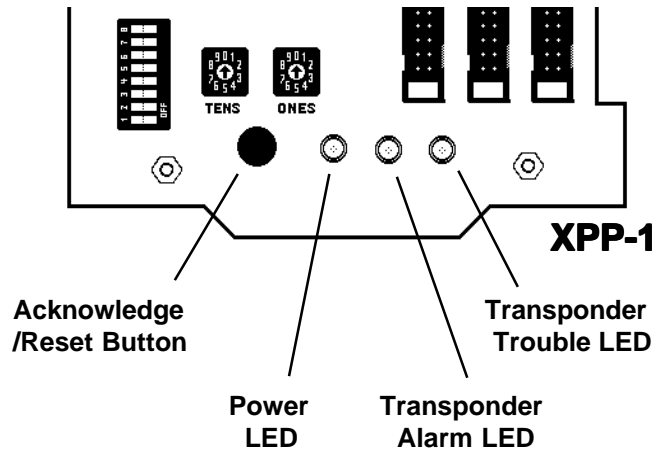
The red System Alarm LED on the XPP-1 will be lit from the moment of alarm. Alarm indicator(s) on all alarmed initiating device circuits will flash at a fast rate until acknowledged.

### Acknowledging Alarms:

Press the Acknowledge/Reset Button momentarily. Do not hold in for more than 5 seconds or the system will be reset. The Acknowledge/Reset button must be pushed once for each initiating device circuit in alarm. As each initiating device circuit is acknowledged, its red Alarm LED(s) will light steadily.

### Lamp Test and System Reset:

Press the Acknowledge/Reset Button and hold in for more than 5 seconds. Release the button and the XPP-1 will reset the transponder and execute a sequential Lamp Test of all the LEDs on the XP Transponder modules. Finally, the address of each module will be displayed in BCD format for approximately 15 seconds.



### Trouble condition:

The yellow Trouble LED on the XPP-1 will flash in a code that corresponds to a specific type of trouble condition. The piezo sounder will "beep" to the same code as the flashing Trouble LED. If more than one trouble exists in one XP Transponder system (row), the Trouble LED will flash through each error sequentially, and repeat the procedure until each trouble has been cleared.

### Trouble Codes:

### Symptom

Steady (no flash)	Initiating device circuit or notification appliance circuit trouble.
One Time	Notification appliances have been silenced.
Two Times	Acknowledged initiating device circuit or notification appliance circuit trouble.
Three Times	External trouble bus input activated.
Four Times	AC loss or bad supervision cable.
Five Times	Secondary (battery) power failure.
Six Times	Communication loss with FACP.
Seven Times	Base Address set too high.
Eight Times	Installation error.

### Acknowledging Troubles:

Press the Acknowledge/Reset Button momentarily. Do not hold in for more than five seconds or the system will be reset. Each trouble in the system must be acknowledged individually. If the particular trouble being acknowledged is due to a fault on an initiating device circuit or notification appliance circuit, the XP Transponder will momentarily light the LED of the circuit(s) in trouble. After all troubles have been acknowledged, the piezo sounder will be silenced (if enabled, otherwise it will never sound). The Trouble LED will continue to flash the codes of troubles that still exist. Once a trouble clears, the XP will stop flashing its error code.

### Local Service Representative

Name: \_\_\_\_\_

Address: \_\_\_\_\_

Telephone: \_\_\_\_\_

For more information, refer to the XP Series Transponder Manual and the AM2020/AFP1010 or AFP-300/AFP-400 Installation Manual.